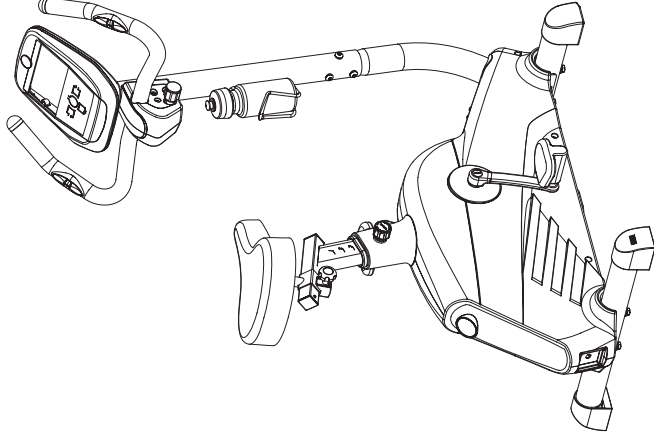


FOR MODEL :

**PAGO 3**

**PAGO 4**



**HORIZON**  
FITNESS

# Assembly Guide



**HORIZON**  
FITNESS

# ASSEMBLY

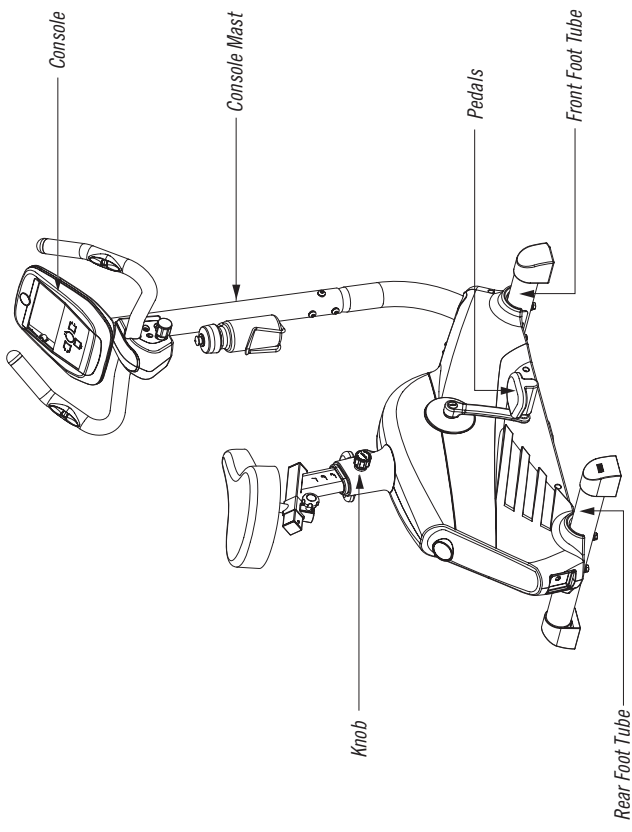
## IMPORTANT: READ THESE SAFETY INSTRUCTIONS BEFORE USE!



There are several areas during the assembly process of a bike that special attention must be paid. It is very important to follow the assembly instructions correctly and to make sure all parts are firmly tightened. If the assembly instructions are not followed correctly, the bike could have frame parts that are not tightened and will seem loose and may cause irritating noises. To prevent damage to the bike, the assembly instructions must be reviewed and corrective actions should be taken.

## UNPACKING

Unpack the product where you will be using it. Place the product on a level flat surface. It is recommended that you place a protective covering on your floor. Note: It is recommended that you apply grease to the threads of each bolt as you assemble the product, to prevent loosening and noise. Also, during each assembly step, ensure that ALL nuts and bolts are in place and partially threaded in before completely tightening any ONE bolt.



### TOOLS INCLUDED

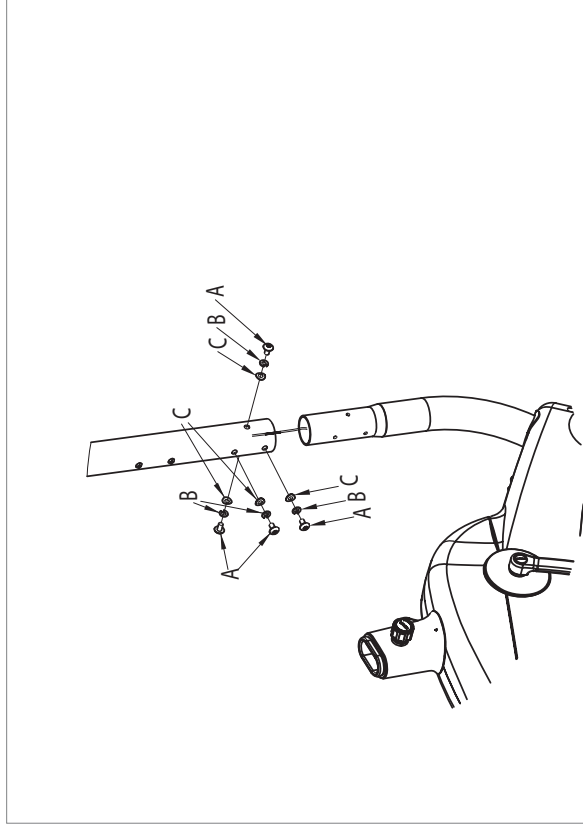
- 4mm Allen Wrench
- 5mm Allen Wrench
- 13/15mm Flat Wrench

### PARTS INCLUDED

- 1 Console
- 1 Console Mast
- 1 Front Foot Tube
- 1 Rear Foot Tube
- 2 Pedals
- 1 Handle Bar
- 1 Seat Support Tube
- 1 Seat
- 1 Hardware Bags
- 1 Water Bottle
- 1 Water Bottle Holder

\* If you have questions or if there are any missing parts, contact your local dealer for support.

ASSEMBLY STEP 2

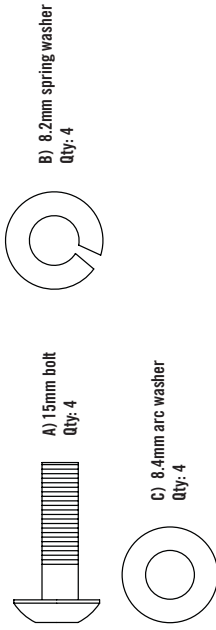


A) Open **HARDWARE BAG FOR STEP 2**.

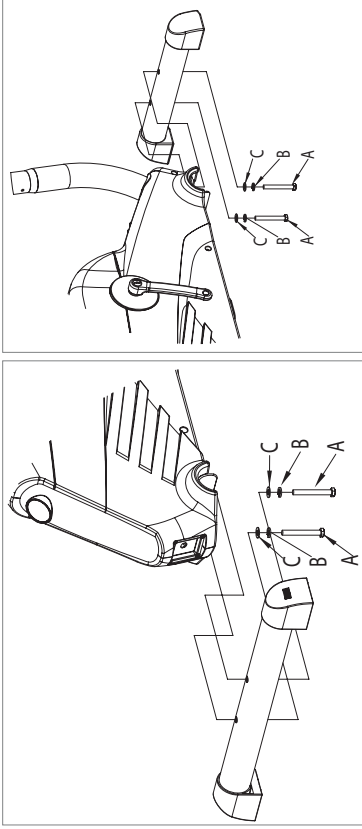
B) Unfold the wire harness located in the frame bracket. Wrap the end of the wire tie, located at the bottom of the console mast, around the end of the wire harness. Pull the wire tie and wire harness up through the console mast while simultaneously sliding the mast over the frame bracket.

C) Attach the **CONSOLE MAST** using 4 **WASHERS(C)**, 4 **SPRING WASHERS(B)** and 4 **BOLTS(A)**.

HARDWARE BAG FOR STEP 2 CONTENTS :



ASSEMBLY STEP 1

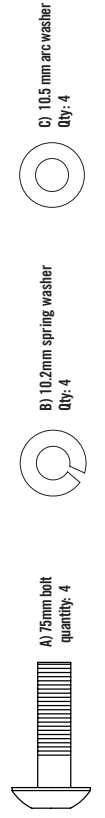


A) Open **HARDWARE BAG FOR STEP 1**.

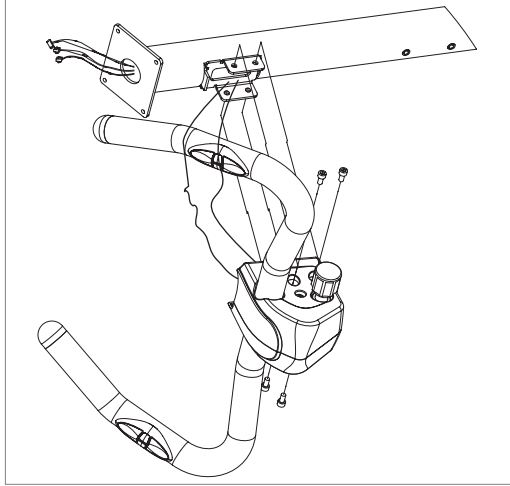
B) Attach the **REAR FOOT TUBE** to the **MAIN FRAME** using 2 **WASHERS(C)**, 2 **SPRING WASHERS(B)** and 2 **BOLTS(A)**.

C) Attach the **FRONT FOOT TUBE** to the **MAIN FRAME** using 2 **WASHERS(C)**, 2 **SPRING WASHERS(B)** and 2 **BOLTS(A)**.

HARDWARE BAG FOR STEP 1 CONTENTS :



### ASSEMBLY STEP 3



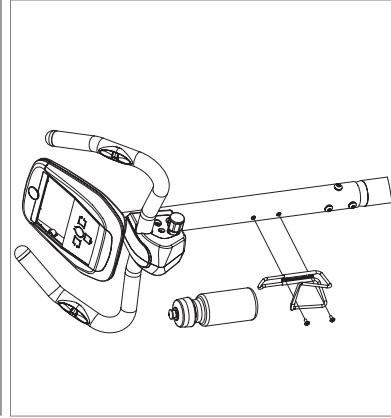
A) Slide the heart rate wires of the handlebar through the hole in the handlebar bracket on the console mast.

B) Attach the **HANDLEBAR** to the **CONSOLE MAST** using pre-attached screws.

C) Connect the wire harness to the plug in the back of the console. Connect the heart rate wires into the heart rate plugs in the back of the console.

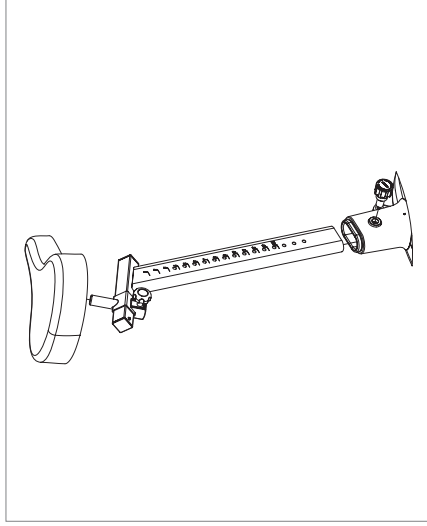
D) Attach **CONSOLE** to the **CONSOLE MAST** using pre-attached 4 screws.

### ASSEMBLY STEP 4



A) Attach the **WATER BOTTLE HOLDER** to the **CONSOLE MAST** using pre-attached screws.

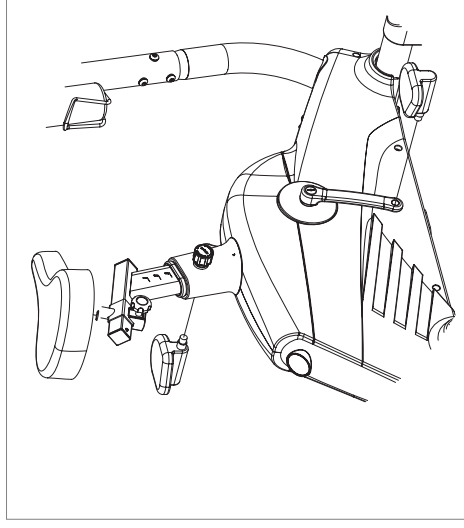
### ASSEMBLY STEP 5



A) Slide the **SEAT SUPPORT TUBE** and then tighten with the **KNOB**.

B) Attach the **SEAT** to **SEAT SUPPORT TUBE**.

### ASSEMBLY STEP 6

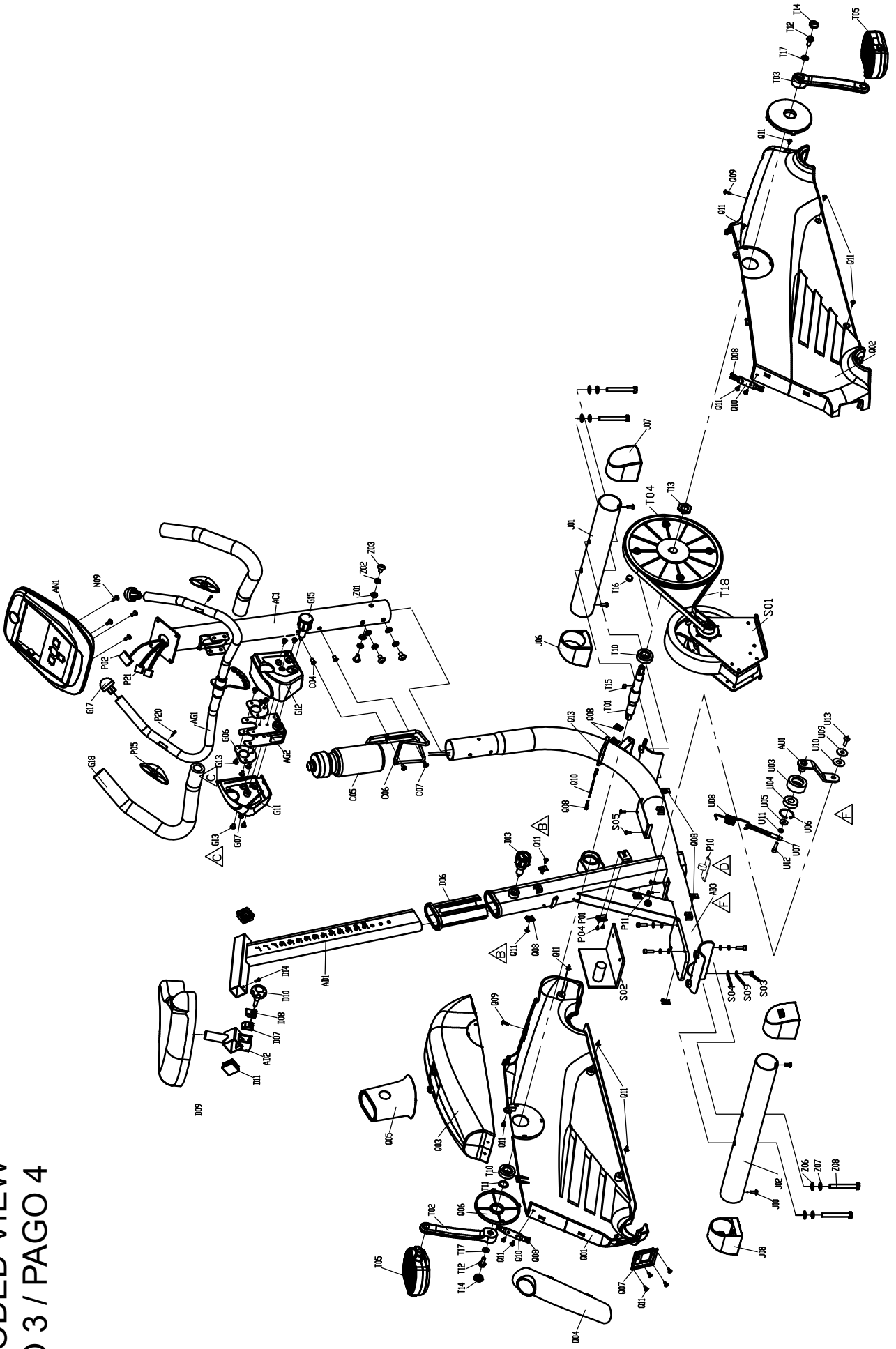


A) Attach the **RIGHT PEDAL** onto the **RIGHT CRANK AXIS** and then tighten with the included **13mm/15mm FLAT WRENCH**.

B) Repeat on the other side.

**YOU'RE FINISHED!**

EXPLODED VIEW  
PAGO 3 / PAGO 4



SPARE PARTS LIST  
PAGO 3 / PAGO 4

Reference number	Description
T01	PEDAL AXLE SET
AU1	TENSION WHEEL SET
AC1	CONSOLE MAST SET
AG1	HANDLE BAR SET
AD1	Welding;Seat Tube Set;CB117-AD1
AD2	Extrawork;Seat Pad Base set;Elec Plate
AG2	Handlebar Fix Set;Painting;;CB131
AN1	Console Set;CB132
AZ1	Hardware Set;CB131-2KM
AZ2	Hardware;2;HARDWARE BAG FOR STEP 1 AND 2
AZ3	Hardware;1;HARDWARE BAG FOR STEP 3
C04	Insert Nut;AL S7-580-3.3(0.5-3.3)
C05	kettle;TM233-Z06A
C06	Rack;Kettle;steel;FC07
C07	OVAL CRISSCROSS SCREW
D06	Bushing;Seat Tube
D07	ADJBlock;1;CB117
D08	ADJBlock;2;CB117
D09	Seat Pad;CB119;CB119-D09A
D10	Knob;SeatPadTransports;CB117
D11	Cap;Seat Pad Transports Tube;CB117-D11C
D13	Semi-Assy;SeatPadADJPullPin;CB117
D14	ROUND PHILLIP SCREW
G06	Snug Plate;SPC;5.0f;CB131

Reference number	Description
G07	OVAL PHILLIP SCREW
G11	Cover;Handlebar;L;CB118
G12	Cover;Handlebar;R;CB118
G15	Knob;CB118-G09A
G17	Cap;Tube;ABS;;BL;CB101
G18	Foam;Arm Rest;φ22.2x7.0tx515L
J01	Stabilizer Set;Front;Painting;CB131
J02	Stabilizer Set;Rear;Painting;CB131
J06	Foot pad;Stabilizer;L;Front;CB131
J07	Foot pad;Stabilizer;R;Front;CB131
J08	Foot pad;Stabilizer;Rear;CB131
J10	OVAL CRISSCROSS SCREW
N08	OVAL CRISSCROSS SCREW
P01	SAFETY KEY SENSOR WIRE;300L(OKI REED P21
P02	Console Wire;4P-4P;1650mm;Pago 4
P03	Power Switch;Socket
P04	OVAL-TAPPING CRISSCROSS SCREW
P07	Breaker;Through Electric Current;7A 250V
P08	PWR Wire;CTL Board;L;370 16AWG;BL;TM24
P08	PWR Wire;CTL Board;N;370 16AWG;WH;TM24
P21	WIRE HRT GRIP LEAD 740mm
Q01	Cover;Left;Painting;CB131
Q02	Cover;Right;Painting;CB131

Reference number	Description
Q03	Cover;UP;75140;CB131
Q04	Cover;Rear;Painting;BL;CB131
Q05	Boot;Seat Tube;PVC;CB131
Q06	Boot;Crank;75140;CB131
Q07	Cover;Power;75140;CB132
Q08	Clip;C Type;CF40390;WUSN-4039
Q09	Screw;Phillip;BH;Tapped;φ4x15L;Zinc
Q10	BRACKET
Q11	OVAL-TAPPING PHILLIP SCREW
Q13	Boot;Console Mast;75140;CB131
S01	ECB+Magnet□300W□□
S02	ECB+Electromagnet controller;AC;90~240V;
S04	FLAT WASHER
S05	OVAL-TAPPING PHILLIP SCREW
S06	Cable Tie;Nylon;Black;160L
T01	Pedal Main Axle;CB132
T02	Crank;L;ROHS;Cr PLate;CB104;CB104-T02
T03	Crank;R;ROHS;Cr PLate;CB104;CB104-T03
T04	Pulley;POLY-V;.J5φ260;CB104
T05	Pedal;With Belt;9/16"-20□;CB132
T10	Bearing;Ball;;6004ZZ(ψ20xφ42x12);Zhuang
T11	Clamp;Outer C Type;S-20;COS200;
T12	FLANGE SCREW
T13	Nut;Hex;M20x1.0P;BL

Reference number	Description
T14	COVER CRANK ARM-**DISC NOT STOCKING
T17	Washer;Disk;φ8xφ18x0.9t
T18	BELT DRIVE POLY-V 430-J5
U03	Idler;NYLON+30%Fiber;JW02
U04	Bearing;Ball;6202ZZ(ψ15xφ35x11);Zhuang
U05	FLAT WASHER
U06	Clamp;inner C Type;R-35
U08	SPRING□CB131
Z01	ARC WASHER
Z02	SPRING WASHER
Z03	Screw;Umbrella Hex Socket;M8x1.25Px15L
Z04	L WRENCH
Z05	OPEN END WRENCH
Z06	Washer;Arc;φ10.2xφ20.0x1.5t;Cr
Z07	SPRING WASHER
Z08	Screw;Hex;M10x1.5Px75L(15#)
Z13	Tie Wire;100M/Roll
Z14	Cable Tie;Nylon;Nylon66;CV-300S;KSS