

FOR MODEL:

Andes 409

Andes 509



**HORIZON**  
FITNESS



**HORIZON**  
FITNESS

# Assembly Guide

important safety instructions save these instructions

## ASSEMBLY

**IMPORTANT: READ THESE SAFETY INSTRUCTIONS BEFORE USE!**



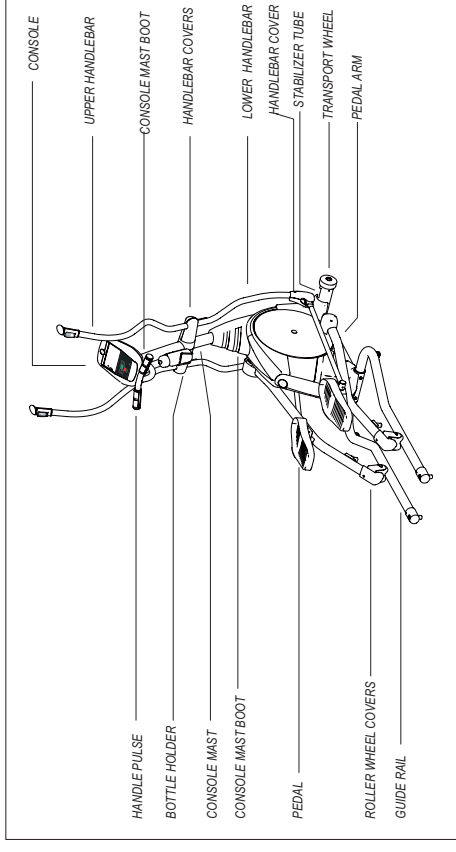
**WARNING**

There are several areas during the assembly process of an elliptical that special attention must be paid. It is very important to follow the assembly instructions correctly and to make sure all parts are firmly tightened. If the assembly instructions are not followed correctly, the elliptical could have frame parts that are not tightened and will seem loose and may cause irritating noises. To prevent damage to the elliptical, the assembly instructions must be reviewed and corrective actions should be taken.

### UNPACKING

Unpack the product where you will be using it. Place the product on a level flat surface. It is recommended that you place a protective covering on your floor. During each assembly step, ensure that ALL nuts and bolts are in place and partially threaded in before completely tightening any ONE bolt.

**NOTE:** A light application of grease may aid in the installation of hardware. Any grease, such as lithium bike grease is recommended.



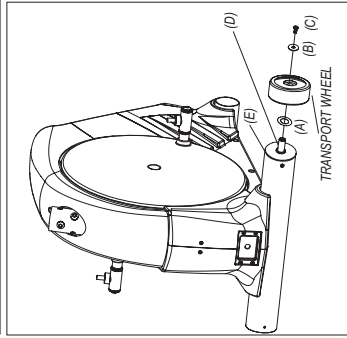
### TOOLS INCLUDED

- 5mm Allen Wrench
- 4mm Allen Wrench
- 13/15mm Flat Wrench
- 17mm Flat Wrench
- Phillips Screw Driver

### PARTS INCLUDED

- 1 Main Frame Set
- 2 Upper Handlebars
- 2 Lower Handlebars
- 2 Pedal arms
- 2 Guide Rails
- 1 Console
- 1 Console Mast
- 1 Console Mast Boot
- 1 Power Supply
- 2 Crank Boots
- 2 Front Upper Handlebar Covers
- 2 Back Upper Handlebar Covers
- 6 Hardware Pack (contents listed below) (Andes 409)
- 5 Hardware Pack (contents listed below) (Andes 509)

## ASSEMBLY STEP 1

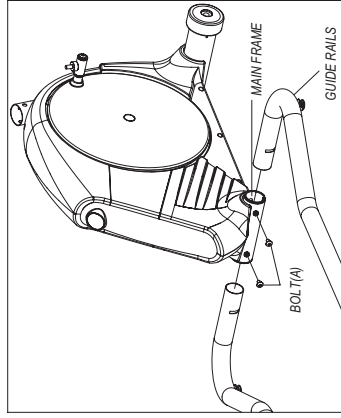


- Open **HARDWARE BAG FOR STEP 1**.
- Attach the washer (A) to the tube (D), and then attach the transport wheel to the stabilizer tube (E) using washer (B), screw (C).
- Repeat on the other side.

### HARDWARE BAG FOR STEP 1 CONTENTS:



## ASSEMBLY STEP 2



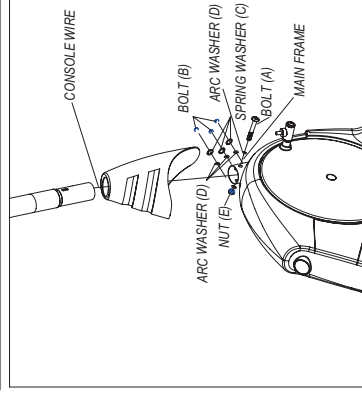
- Open **HARDWARE BAG FOR STEP 2**.
- Slide left and right **GUIDE RAILS** into **MAIN FRAME**.
- Attach **GUIDE RAILS** using 2 **BOLTS (A)**.

**NOTE:** You may have to rotate the guide rails back and forth to get them to slide into the frame.

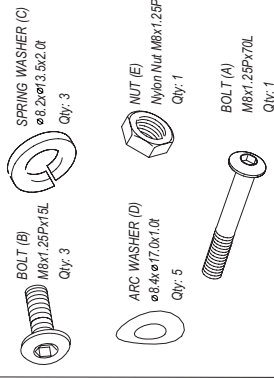
### HARDWARE BAG FOR STEP 2 CONTENTS:



## ASSEMBLY STEP 3

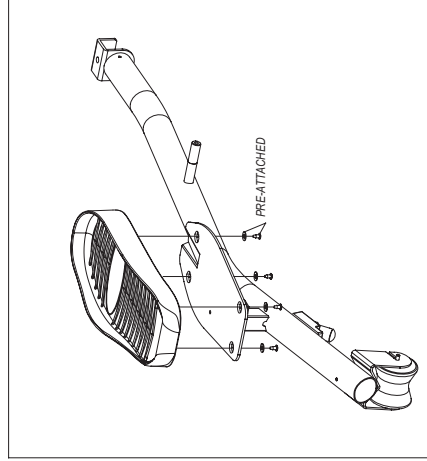


### HARDWARE BAG FOR STEP 3 CONTENTS:



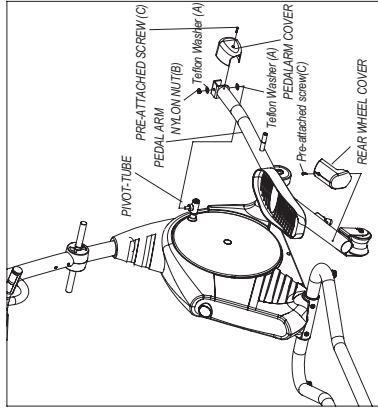
- Open **HARDWARE BAG FOR STEP 3**.
- Slide the **CONSOLE MAST BOOT** over the bottom of the **CONSOLE MAST**.
- Carefully pull console wires through the **CONSOLE MAST**. Attach the **CONSOLE WIRES** to the pre-attached routing wire. Discard wire when finished.
- Slide **CONSOLE MAST** into **MAIN FRAME**.
- Insert 3 **BOLTS (B)**, 3 **SPRING WASHERS (C)** and 3 **ARC WASHERS (D)** into back of **CONSOLE MAST**.
- Attach **CONSOLE MAST** to **MAIN FRAME** using 1 **BOLT (A)**, 2 **ARC WASHER (D)**, 1 **NUT (E)**.
- Slide **CONSOLE MAST-BOOT** down to cover exposed bolts.

## ASSEMBLY STEP 4



- Open the box with pedal and pedal arm inside.
  - Open the hardware bag for the step 6.
  - Remove the pre-attached screws and washers from the bottom of the pedal base, then put the pedal onto the pedal base using these screws and washers.
  - Repeat on the other side.
- (Andes 409 only)

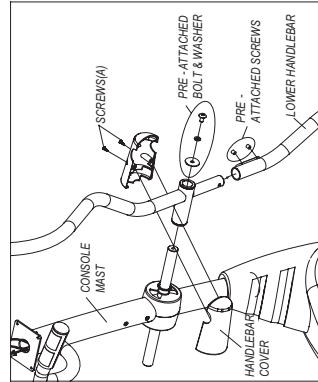
- A) Open the hardware bag for the step 4.
- B) Place the pedal arm onto the pivot tube using 2 TEFLON WASHERS(A) AND 1 NYLON NUT(B).
- C) Remove 2 pre-attached screws (C) from the two ends of the pedal arm and then attach the pedal arm cover to the pedal arm using 1 pre-attached screw (C).
- D) Put the rear wheel cover onto the end pedal arm using 1 pre-attached screw (C).
- E) Repeat on the other side.



**HARDWARE BAG FOR STEP 4 CONTENTS :**

- Teflon Washer (A)  
ø10.4xø24.75x1.51  
Qty: 4
- Nylon Nut (B)  
M10x1.5P  
Qty: 2

## ASSEMBLY STEP 5

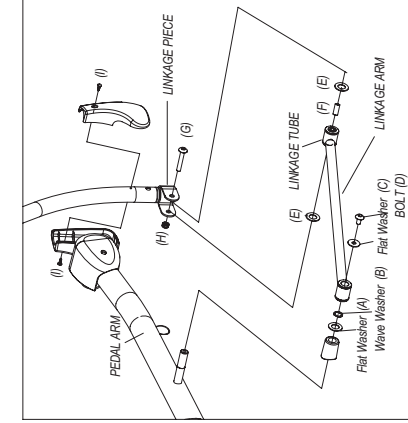


**HARDWARE BAG FOR STEP 5 CONTENTS :**

- SCREW (A)  
ø4x15L  
Qty: 4

- A) Open **HARDWARE BAG FOR STEP 5.**
- B) Remove **PRE-ATTACHED BOLT & WASHERS** from **CONSOLE MAST.**
- C) Slide **UPPER HANDLEBARS** onto **CONSOLE MAST** and attach by re-inserting **PRE-ATTACHED BOLT** And **one Pre-Spring Washer** And **one Flat Washer**.
- D) Attach **LOWER HANDLEBARS** to **UPPER HANDLEBARS** using **PRE-ATTACHED SCREWS.**
- E) Attach **HANDLEBAR COVERS** using **2 SCREWS (A).**
- (F) Repeat on the other side.

## ASSEMBLY STEP 6



### Andes409:

- A) Open the hardware bag for the step 6.
- B) Attach the linkage arm onto the pedal arm pin using (A),(B),(C),(D) one by one.
- C) Remove the pre-attached washers (E), nut (H), screw (G) & linkage axle (I) from the linkage piece.
- D) Put the linkage axle (F) into the linkage tube, and then attach the linkage arm inside the lower handlebar linkage piece using 2 washers (E), 1 screw (G), and 1 nut (H).
- E) Remove the two pre-attached screws (I) from the end of the lower handlebar Attach the handlebar covers onto the lower handlebar using (I).
- F) Repeat on the other side.

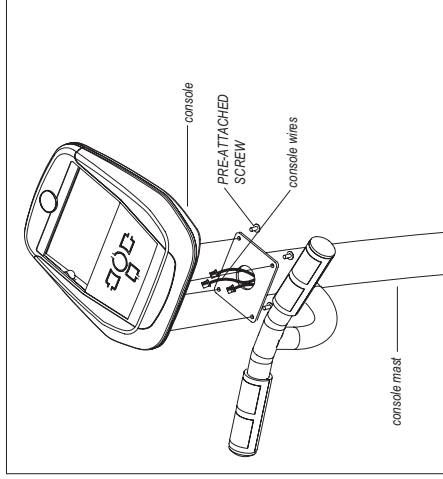
### HARDWARE BAG FOR STEP 6 CONTENTS :

- Flat Washer (A)  
ø16.2xø28.7x1.51  
Qty: 2
- Wave Washer (B)  
ø16.7xø22.5x0.31  
Qty: 2
- Flat Washer (C)  
ø6.5xø25.0x1.51  
Qty: 2
- BOLT (D)  
M6x1.25Px12L  
Qty: 2

### PRE-ATTACHED HARDWARE PARTS:

- Flat Washer (E)  
Qty: 2
- Linkage axle (F)  
Qty: 1
- screw (G)  
Qty: 1
- nut (H)  
Qty: 1
- screw (I)  
Qty: 2

## ASSEMBLY STEP 7

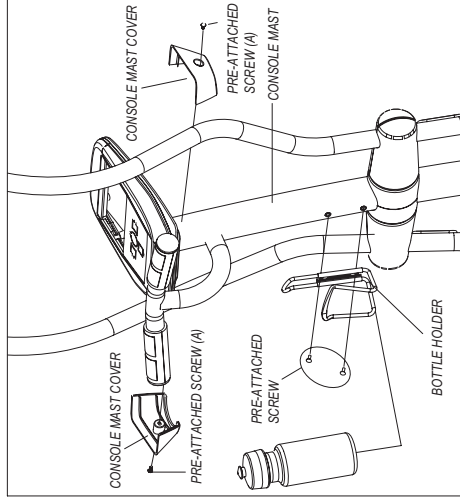


**NOTE:** There is NO hardware bag for this step. All hardware is pre-installed.

- Attach the CONSOLE WIRES.
- Carefully tuck the CONSOLE MAST wires into the CONSOLE MAST before attaching the CONSOLE.
- Attach CONSOLE to the CONSOLE MAST using the 4 PRE-ATTACHED SCREWS (screws will have to be removed from the console first).

**DO NOT PINCH WIRES!**

## ASSEMBLY STEP 8

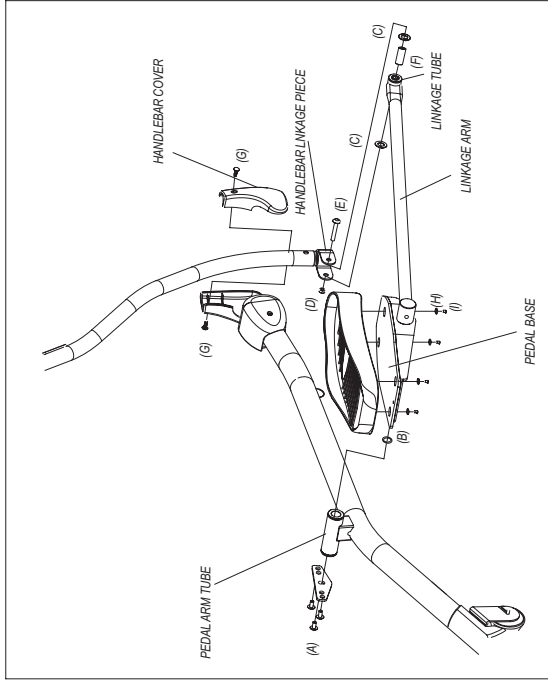


A) Attach BOTTLE HOLDER to the CONSOLE MAST using the 2 PRE-ATTACHED SCREWS. (screws will have to be removed from the console mast first).

B) Remove the 2 pre-attached screws(A) from the up console mast under the console, and then attach the console mast cover to the console mast using screw (A) Connect AC ADAPTOR to the AC ADAPTOR INPUT, located at front of the main frame.

Connect ADAPTOR to a power outlet. Locate the ON / OFF switch on the back of the CONSOLE. Flip the switch to the ON position. After a "beep", the CONSOLE will light up.

**YOU'RE FINISHED!**



### Andes509:

- Remove PRE-Attached washer (B) & screws (A) from end of the linkage arm.
- Attach the linkage arm to the pedal arm tube using 3 screws (A) and 1 washer (B).
- Remove the pre-attached washers (C), nut (D), screw (E) & linkage axle (F) from the linkage piece.
- Put the linkage axle (F) into the linkage tube, and then attach the linkage arm inside the lower handlebar linkage piece using 2 washers (C), 1 screw (E), and 1 nut (D).
- Remove the two pre-attached screws (G) from the end of the lower handlebar, and Attach the handlebar covers onto the lower handlebar using (G).
- Remove the pre-attached screws (I) and washers (H) from the bottom of the pedal base, then put the pedal onto the pedal base using these screws (I) and washers (H).
- Repeat on the other side.

#### PRE-ATTACHED HARDWARE PARTS:

