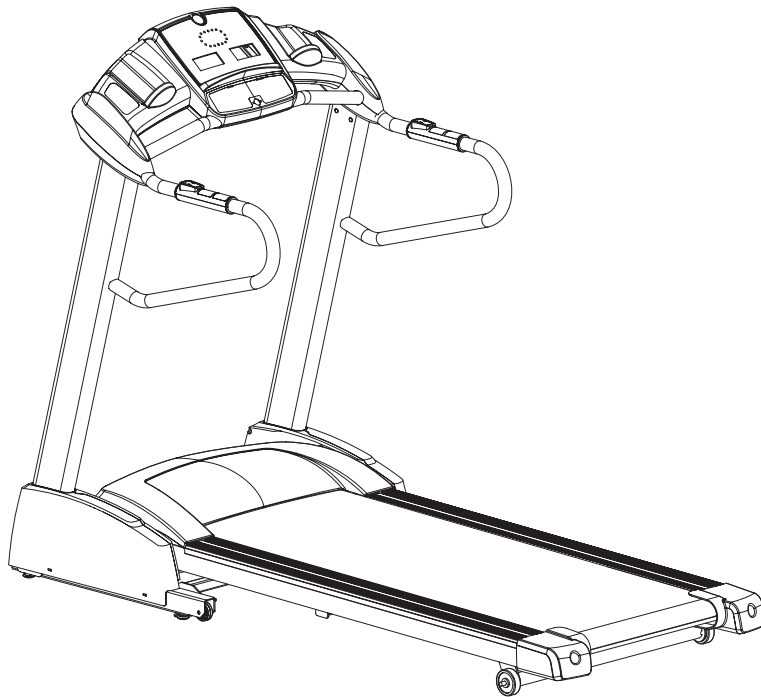


PARAGON SERIES



FOR MODEL :

Paragon 308

Paragon 408

Paragon 508



HORIZON
FITNESS

Assembly's Guide

ASSEMBLY

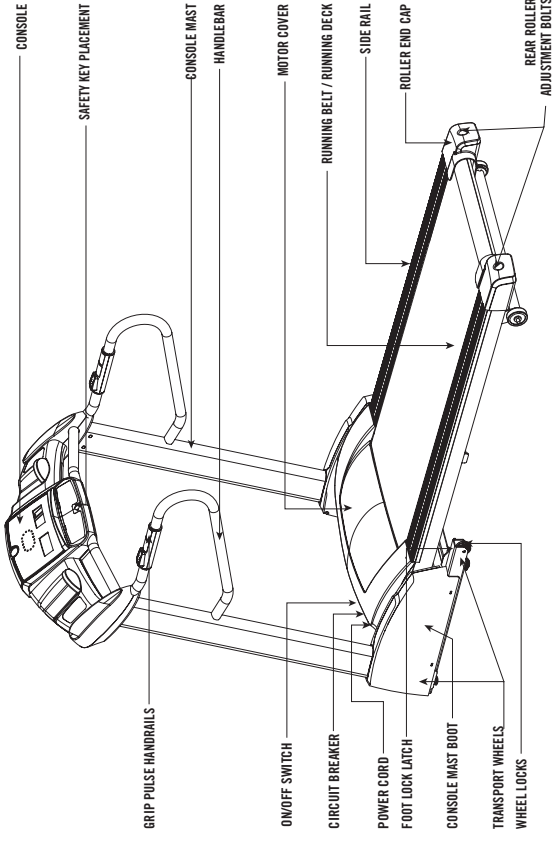
IMPORTANT: READ THESE SAFETY INSTRUCTIONS BEFORE USE!



During the assembly process of the treadmill there are several areas that special attention must be paid. It is very important to follow the assembly instructions correctly and to make sure all parts are firmly tightened. If the assembly instructions are not followed correctly, the treadmill could have frame parts that are not tightened and will seem loose and may cause irritating noises. There should be no side-to-side play in the console masts or any forward and back play in the console assembly or handlebars. If there is any play in these areas, the treadmill has not been properly assembled. To prevent damage to the treadmill, the assembly instructions must be reviewed and corrective actions should be taken.

UNPACKING

Place the treadmill carton on a level flat surface. It is recommended that you place a protective covering on your floor. Take CAUTION when handling and transporting this unit. Never open box when it is on its side. Once the banding straps have been removed, do not lift or transport this unit unless it is fully assembled and in the upright folded position, with the lock latch secure. Unpack the unit where it will be used. The enclosed treadmill is equipped with high-pressure shocks and may spring open if mishandled. Never grab hold of any portion of the incline frame and attempt to lift or move the treadmill. FAILURE TO FOLLOW THESE INSTRUCTIONS COULD RESULT IN INJURY!



TOOLS INCLUDED

- Screw Driver
- 5 mm Allen wrench
- 6mm T-wrench (Paragon 308)
- 8mm T-wrench (Paragon 408 Paragon 508)

PARTS INCLUDED

- 1 Console Assembly
- 2 Console Masts
- 2 Console Mast Boots
- 2 Handlebars
- 1 Safety Key
- 1 Power Cord
- 4 Hardware Bags

PRE-ASSEMBLY

***NOTE:** During each assembly step, ensure that ALL nuts and bolts are in place and partially threaded in before completely tightening any ONE bolt. A light application of grease may aid in the installation of hardware. Any grease, such as lithium bike grease is recommended.

ASSEMBLY STEP 1

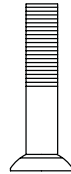
HARDWARE BAG 1 CONTENTS:



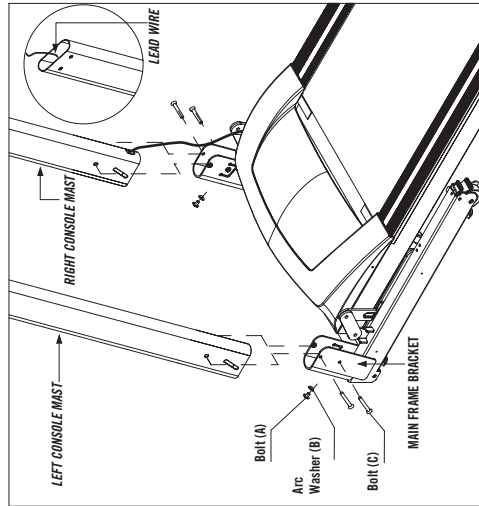
Bolt (A)
20 mm
Qty: 2



Arc Washer (B)
Qty: 2



Bolt (C)
60 mm
Qty: 4



- Open **HARDWARE BAG FOR STEP 1**.
- Slide **LEFT CONSOLE MAST** over **MAIN FRAME BRACKET**.
- Attach the **LEFT CONSOLE MAST** using **2 BOLTS (C)**, **1 BOLT (A)** and **1 ARC WASHER (B)**.
- Pull **LEAD WIRE** through **RIGHT CONSOLE MAST**.

After pulling the lead wire through the mast, the top of the console cables should be located at the top of the mast.

- Detach and discard lead wire.
- Slide **LEFT CONSOLE MAST** over **MAIN FRAME BRACKET**.

***Note:** Do not pinch **CONSOLE CABLES** when placing the mast onto the main frame.

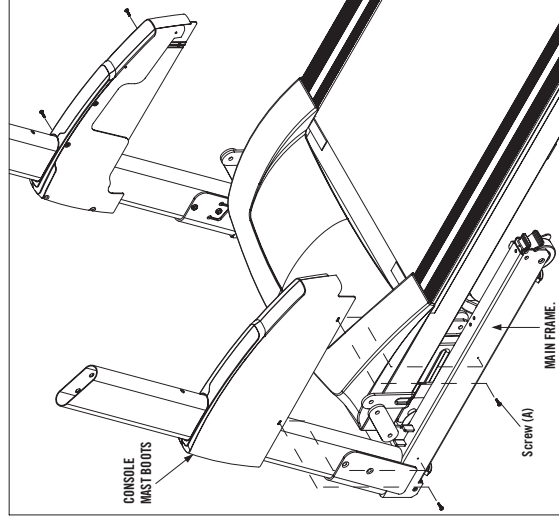
- Attach the **RIGHT CONSOLE MAST** using **2 BOLTS (C)**, **1 BOLT (A)** and **1 ARC WASHER (B)**.

ASSEMBLY STEP 2

HARDWARE BAG 2 CONTENTS:



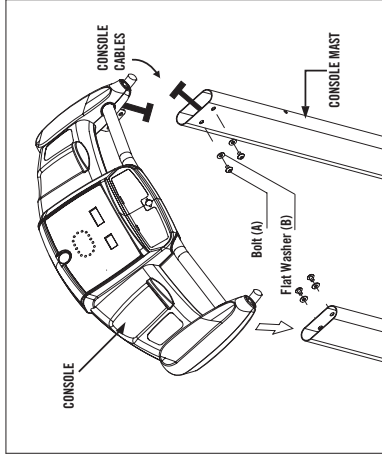
Screw (A)
Qty: 4



- Open **HARDWARE BAG FOR STEP 2**.
- Slide **CONSOLE MAST BOOTS** down over **CONSOLE MASTS** and **MAIN FRAME**.
- Insert **2 SCREWS (A)** into holes of each **CONSOLE MAST BOOT** and tighten screws.

ASSEMBLY STEP 3

HARDWARE BAG 3 CONTENTS :



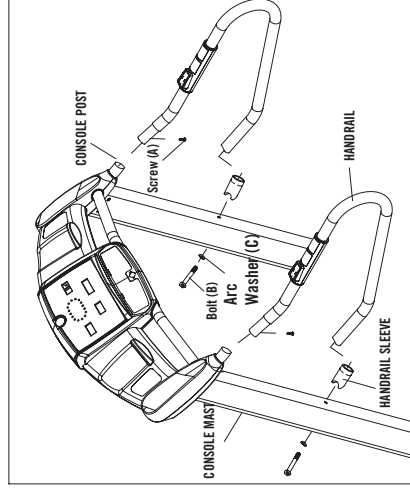
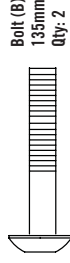
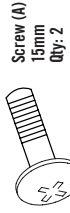
- Open **HARDWARE BAG FOR STEP 3**.
- Connect **CONSOLE CABLES**. Carefully tuck **CONSOLE CABLES** into the **CONSOLE MAST** before attaching the **CONSOLE** to avoid damage.

***NOTE:** Do not pinch console cables. Be sure the console cable prongs are aligned and the ends are tightly seated into each other. Look through the holes on the right side of the console before inserting bolts in step D.

- Attach **CONSOLE** to **LEFT CONSOLE MAST** using **2 BOLTS (A)** and **2 FLAT WASHERS (B)**.
- Repeat step C above to secure the **CONSOLE** to the **RIGHT CONSOLE MAST**.
- Tighten all bolts completely.

ASSEMBLY STEP 4

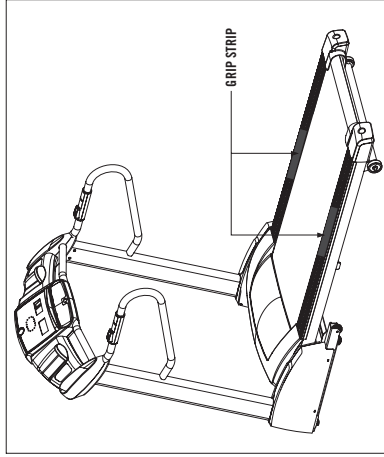
HARDWARE BAG 4 CONTENTS :



- Open **HARDWARE BAG FOR STEP 4**.
- Slide **HANDRAIL SLEEVE** over the lower end of the handrail
- Slide top of **HANDRAIL** into **CONSOLE POST**.
- Align bottom of **HANDRAIL** to bolt hole in **CONSOLE MAST**.
- Insert **1 SCREW (A)** into handrail as shown to attach handrail to the console post.
- Insert **1 BOLT (B)** and **1 ARC WASHER (C)** through the back of the console mast to attach the lower of handrail to the console mast.
- Repeat on other side.

ASSEMBLY STEP 5

GRIP STRIP
Qty. 2



- A) To fix the **GRIP STRIP** to the side rail, remove/peel back protective backing and position (as illustrated in Diagram). Press firmly to ensure all is secure.

ASSEMBLY COMPLETE!



HORIZON
FITNESS

