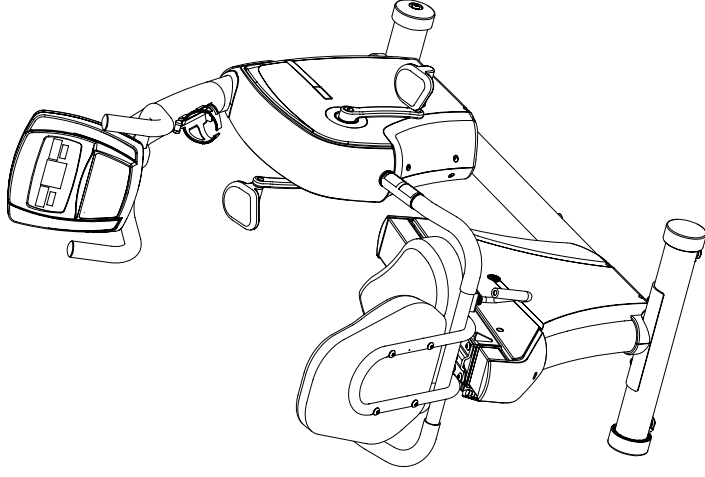


FOR MODELS
Elite R308




Assembly Guide

important safety instructions save these instructions

ASSEMBLY

IMPORTANT: READ THESE SAFETY INSTRUCTIONS BEFORE USE!



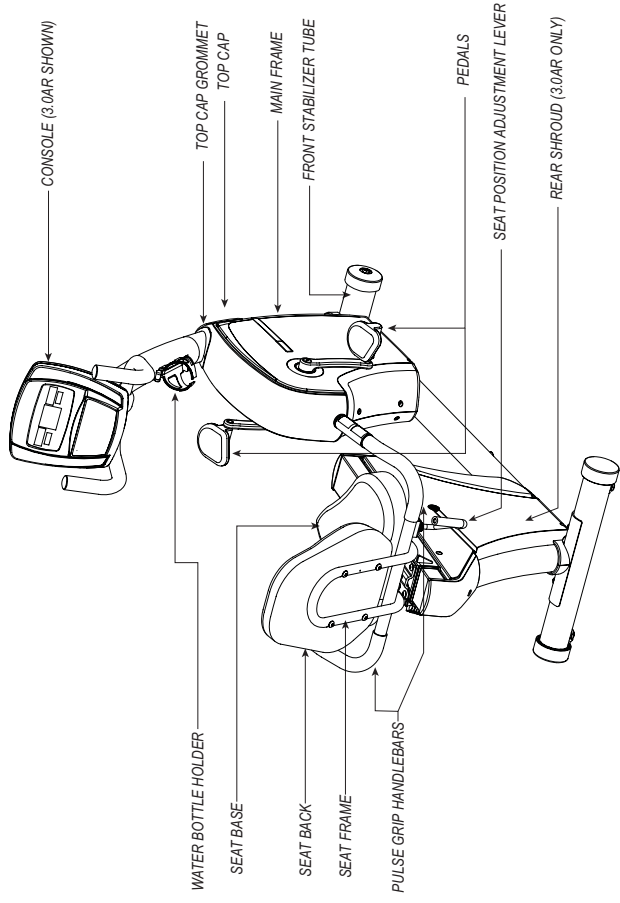
WARNING

There are several areas during the assembly process of a bike that special attention must be paid. It is very important to follow the assembly instructions correctly and to make sure all parts are firmly tightened. If the assembly instructions are not followed correctly, the bike could have frame parts that are not tightened and will seem loose and may cause irritating noises. To prevent damage to the bike, the assembly instructions must be reviewed and corrective actions should be taken.

UNPACKING

Unpack the product where you will be using it. Place the product on a level flat surface. It is recommended that you place a protective covering on your floor. During each assembly step, ensure that ALL nuts and bolts are in place and partially threaded in before completely tightening any ONE bolt.

NOTE: A light application of grease may aid in the installation of hardware. Any grease, such as lithium bike grease is recommended.



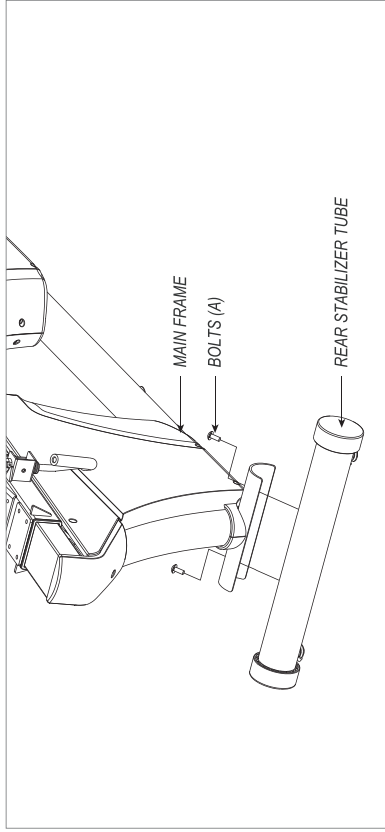
TOOLS INCLUDED

- 5mm Allen Wrench
- 13/15mm Flat Wrench
- Phillip Screwdriver
- 5mm T Wrench
- 6mm T Wrench

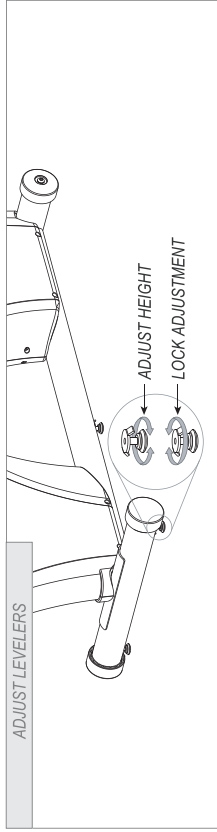
PARTS INCLUDED

- 1 Console
- 1 Console Mast
- 2 Pedals
- 1 Top Cap
- 1 Top Cap Grommet
- 1 Seat Back
- 1 Seat Base
- 4 Hardware Bags
- 1 Rear Stabilizer Tube
- 1 Frame
- 1 Pulse Grip Handlebar
- 1 Seat Frame
- 1 Water Bottle Holder

ASSEMBLY STEP 1



- A) Open **HARDWARE BAG FOR STEP 1**
- B) Attach the **REAR STABILIZER TUBE** to the **MAIN FRAME** using **2 BOLTS (A)**



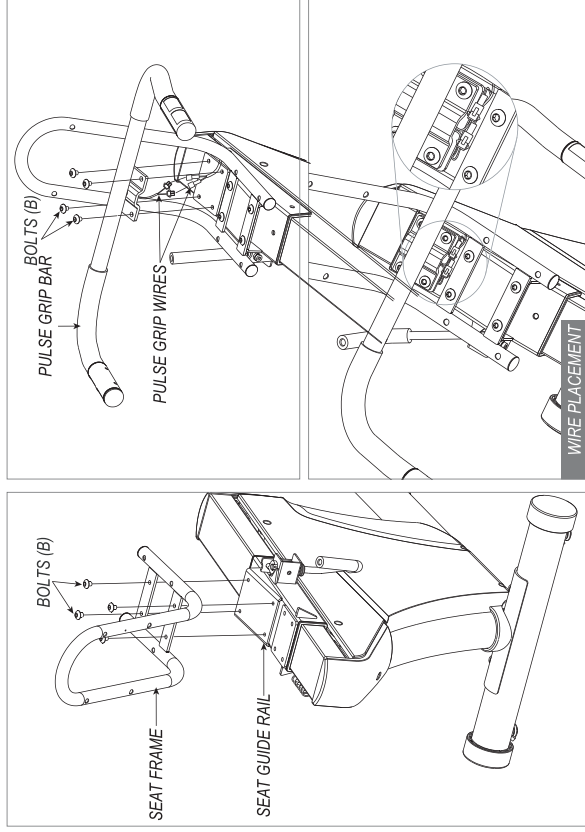
- C) Adjust **3 LEVELERS** so that the bike does not rock and is level on the floor.

HARDWARE BAG FOR STEP 1 CONTENTS:



BOLT (A)
20 mm
Qty: 2

ASSEMBLY STEP 2



- A) Open **HARDWARE BAG FOR STEP 2**
- B) Attach the **SEAT FRAME** to the **SEATGUIDERAIL** using **4 BOLTS (B)**.
- C) Attach the **PULSE GRIP BAR** to the **SEATGUIDERAIL** using **4 BOLTS (B)**.
- D) Attach the **PULSEGRIP WIRES** from the rear of the recumbent to the **PULSEGRIP WIRES** from the **PULSEGRIP BAR**

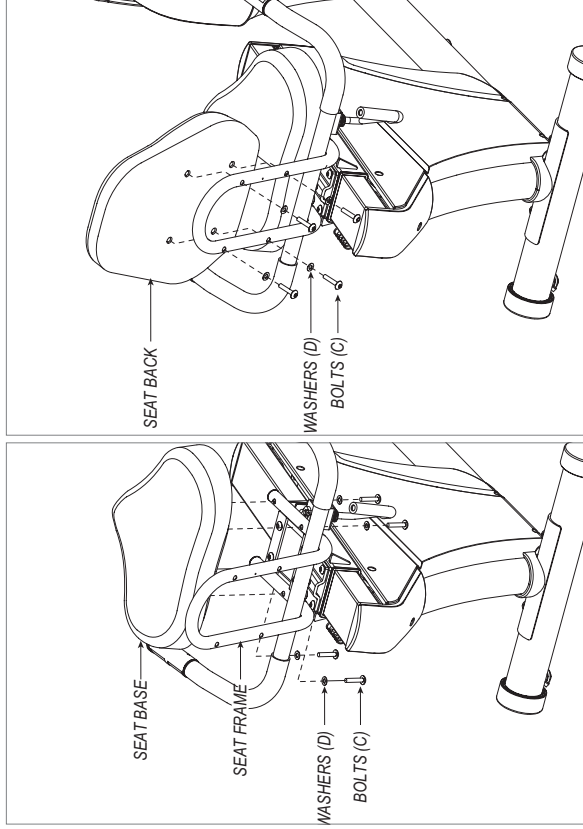
*Note: Tuck in wires as shown. Be sure that the **PULSEGRIP WIRES** will not be crushed when adjusting the seat back and forth.*

HARDWARE BAG FOR STEP 2 CONTENTS:



BOLT (B)
10 mm
Qty: 8

ASSEMBLY STEP 3

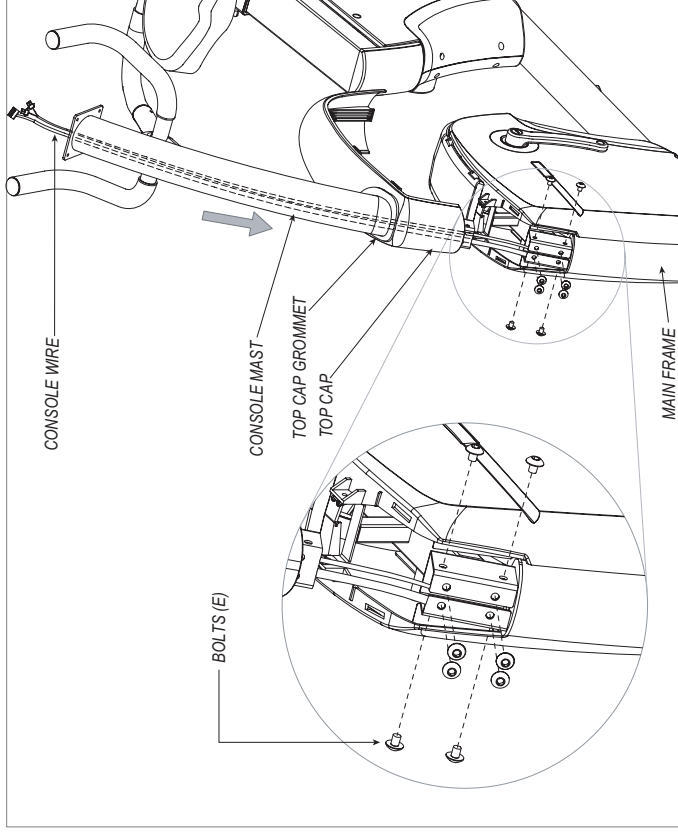


- A) Open **HARDWARE BAG FOR STEP 3**.
- B) Attach **SEATBASE** to **SEATFRAME** using 4 **BOLTS (C)** and 4 **WASHERS (D)**.
- C) Attach **SEATBACK** to **SEATFRAME** using 4 **BOLTS (C)** and 4 **WASHERS (D)**.

HARDWARE BAG FOR STEP 3 CONTENTS :

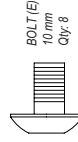


ASSEMBLY STEP 4

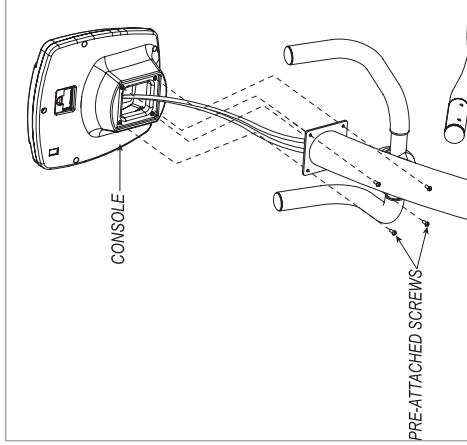
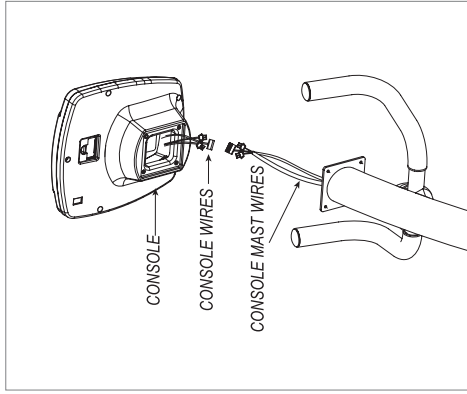


- A) Open **HARDWARE BAG FOR STEP 4**
- B) Slide **TOP CAP GROMMET** and **TOP CAP** onto the bottom of the **CONSOLE MAST**.
- C) Carefully pull the **CONSOLE WIRE** through the **CONSOLE MAST** using the twist tie located inside the **CONSOLE MAST**.
- D) Attach the **CONSOLE MAST** to the **MAINFRAME** using 8 **BOLTS (E)**.
- E) Slide **TOP CAP GROMMET** and **TOP CAP** down **CONSOLE MAST** and carefully snap **TOP CAP** into the **MAINFRAME**

HARDWARE BAG FOR STEP 4 CONTENTS :



ASSEMBLY STEP5

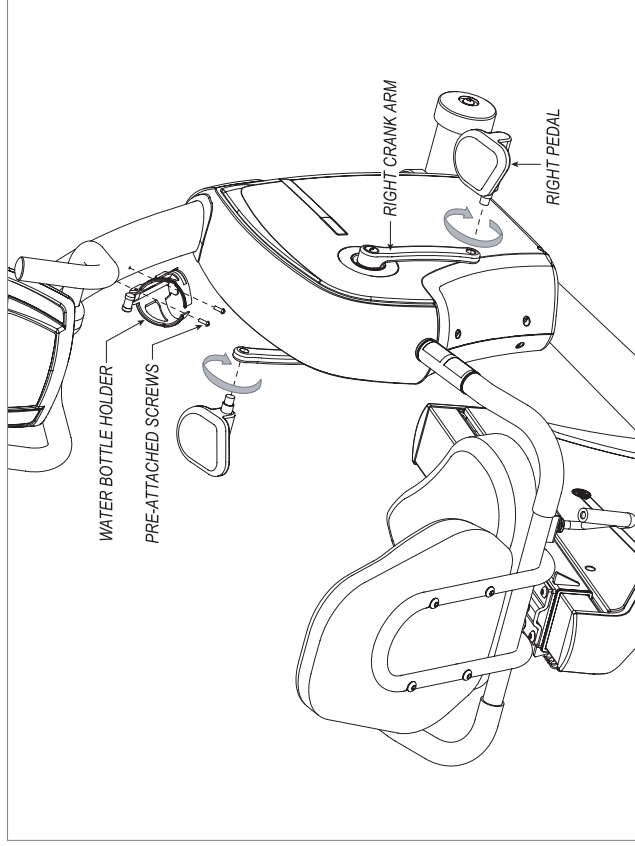


Note: There is no hardware bag for this step. All hardware is pre-attached.

- A) Attach the CONSOLE MAST WIRES to the CONSOLE WIRES
- B) Carefully tuck the CONSOLE MAST WIRES into the CONSOLE MAST before attaching CONSOLE
- C) Attach the CONSOLE to the CONSOLE MAST using the 4 PRE-ATTACHED SCREWS (screws will have to be removed from the console first).

NOTE: Be Careful Not to Pinch Wires!

ASSEMBLY STEP6



Note: There is no hardware bag for this step. All hardware is pre-attached.

- A) Attach the RIGHT PEDAL onto the RIGHT CRANK ARM, tightening it COUNTERCLOCKWISE with the provided 13mm/15mm FLAT WRENCH.
- B) Attach the LEFT CRANK ARM onto the LEFT CRANK ARM, tightening it COUNTERCLOCKWISE with the provided 13mm/15mm FLAT WRENCH.

Note: The LEFT CRANK ARM is reversed threaded so it is very important that it is tightened COUNTERCLOCKWISE. Tightening it the opposite way can damage the pedal or the crank arm or both.

- C) Attach the WATER BOTTLE HOLDER to the CONSOLE MAST using the PRE-ATTACHED SCREWS (screws will have to be removed from the console mast first).

YOU'RE FINISHED!